

## Mini-Coaxial Connectors

The STS Mini-Coaxial Connector set was originally developed for a specific requirement where space and weight constraints prohibited the use of an 'Industry Standard' single-way coaxial product.

Currently rated to 3,000m with a 15mm overall connector diameter, this product offers significant space saving benefits. It has been designed to accommodate commercially available 50Ω and 75Ω connector inserts and can be provided with male or female contacts in either mating half.

Available as flanged or through hole mounted bulkheads, inline male and female connectors terminated to standard or customer supplied cables. A right angle moulded variant can be supplied on request.



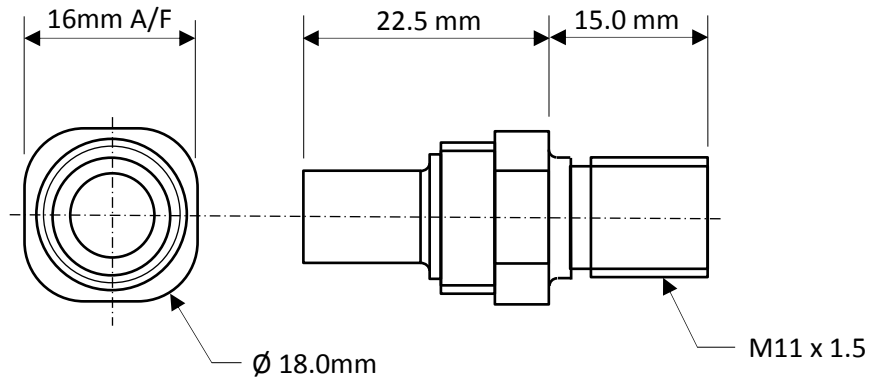
### Key Features and Benefits

- Available in 316 Stainless Steel or Brass as standard, titanium, aluminium, non-metallic or other options available on request
- Simple, robust construction ideal for subsea cameras, instruments and antennae
- 20% smaller diameter and overall length than "Industry Standard" offerings
- Rated to 3,000m depth as standard, contact STS Subsea Sales for enhanced ratings
- Bespoke options available on request, UK manufactured for fast-turnaround deliveries
- Drymate assembly, no keyway
- Supplied with a range of standard cable types to suit application, customer supplied cables can be accommodated subject to specification review

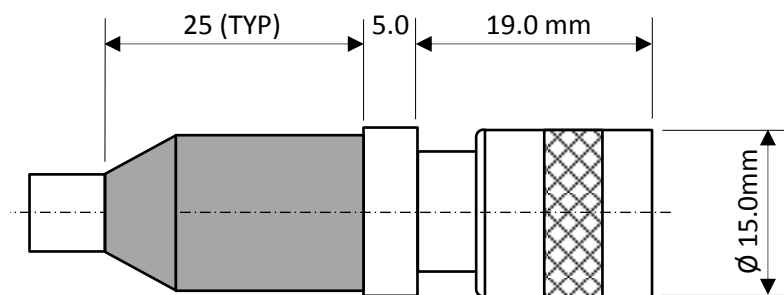
### Typical Specifications (50Ω RG178/BU) :-

Contact Resistance :	<10mΩ	Contact Material :	Gold over Copper
Insulation Resistance :	≥10GΩ	Body :	Stainless 316L
Current Rating :	2A	Locking Nut :	Acetal
Working Voltage :	250V <sub>rms</sub>	Overmoulding :	Polyurethane
Test Voltage :	750V / 50Hz	O Rings :	Nitrile N170

### Bulkhead (BCR) Dimensions



### Moulded Connector (CCP) Dimensions



### Mated CCP & BCR Nominal Dimensions

