

# MiniBeacon Subsea Fibre Optic Connectors

The MiniBeacon range of Fibre Optic connectors is based on proven, commercially available, Expanded Beam (EB) inserts which are available in 3 contact configurations from 1 to 4 channels.

The Expanded Beam interconnect solution offers significant benefits over traditional Physical Contact (PC) technology for harsh environment applications.

The use of lenses for non-contact signal transmission makes them less susceptible to damage, contamination and easy to clean. Being less prone to the effects of Angular and Lateral misalignment result in greater stability in the most challenging of environments.

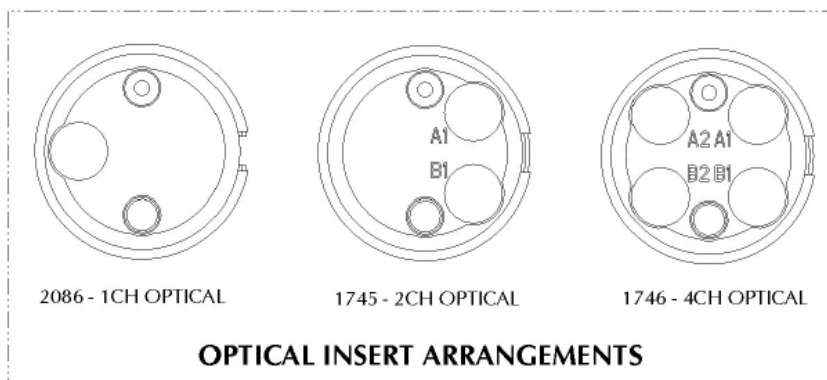


The design is suitable for singlemode and multimode (50/125µm and 62.5/125µm) applications and is offered with connector (CCP and CCR), through hole bulkhead (BCR) and flanged (FCR) housings. Rated to 6000m, these products can be supplied Oil filled, moulded in Polyurethane or Polyethylene or unterminated for field installation. Made from stainless steel as standard, connector bodies can be supplied in other materials to suit customer requirements.

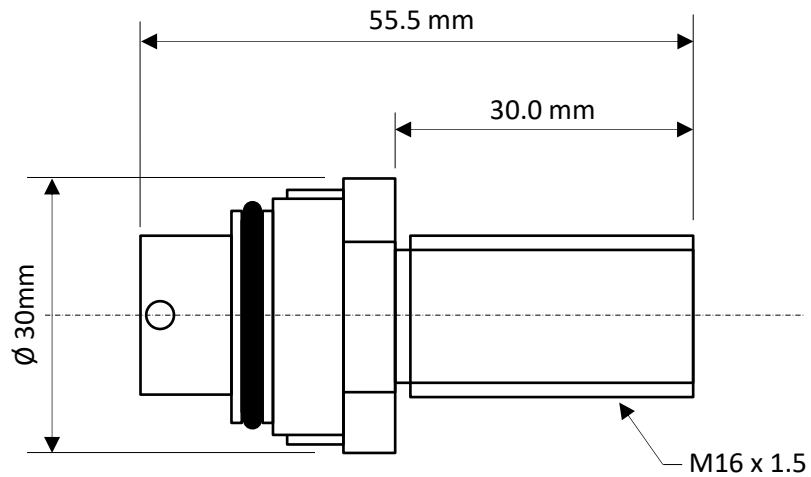
## Provisional Specifications

Insertion Loss - Singlemode	2.0dB max. (9/125 µm Fibre, 1310/1550nm)
Insertion Loss - Multimode	1.0dB max. (50/125 µm Fibre, 850/1310nm)
Operating temperature	-40°C to +85°C
Storage temperature	-55°C to +85°C
Mating Cycles	>1000 (Optical)

## Standard Inter-Connect Options



### Threaded Bulkhead (BCR) Dimensions



### Moulded Connector (CCP) Dimensions

