

---

## MIN-0 (“Minnow”) 12-way Connectors

---

The STS MIN-0 (“Minnow”) miniature electrical connector range is a further development of the single way Mini-Coax Connector set, utilising common parts for improved lead times.

Currently rated to 6,000m with a 15mm overall connector diameter, this product offers significant space saving benefits. It was originally designed to accommodate commercially available single, 2, 3, 4 and 6-way inserts but the range is now expanded to include 12-way with higher densities in development.

Available as flanged or through hole mounted bulkheads, inline male and female connectors terminated to standard or customer supplied cables. A right angle moulded variant is also available.

Ideally suited for applications where a small, lightweight reliable connection is required, such as Pipeline Pigging, Diver Comms., AUVs, control & instrumentation and sensors.

The Minnow family is always expanding, more recently with the addition of HV (2A/3kV), high current (40A) and pneumatic/fluid contacts.

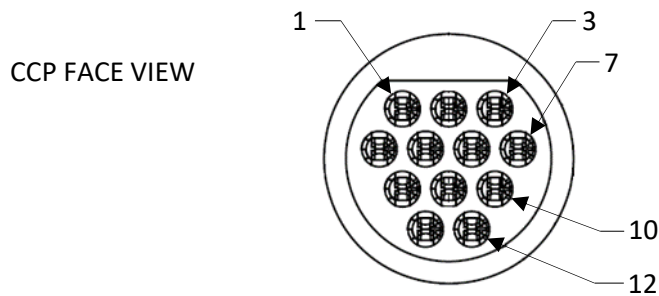
STS are also able to offer bespoke bulkhead mounting designs to fit existing equipment.



### Key Features and Benefits

- Available in 316 Stainless Steel or Naval Brass as standard, titanium, aluminium, non-metallic or other options available on request
- Currently rated to 6,000m depth as standard, contact STS Subsea Sales for enhanced ratings
- Bespoke options available on request, UK manufactured for fast-turnaround deliveries
- Drymate assembly, positively engaged keyway system
- Supplied with a range of standard cable types to suit the application, customer supplied cables can be accommodated subject to specification review
- Alternative mounting designs to interface with existing equipment, such as 1/4"-28 UNF-2A
- STS are always developing new variants to suit customer requirements, contact Sales to discuss
- UK manufactured, with good stock holding of components for fast turnaround

### Standard Electrical Contact Configurations



CONTACT	BCR	CCP/CABLE
1	BLACK	BLACK
2	BROWN	BROWN
3	RED	RED
4	ORANGE	ORANGE
5	YELLOW	YELLOW
6	GREEN	GREEN
7	BLUE	BLUE
8	VIOLET	VIOLET
9	GREY	GREY
10	WHITE	WHITE
11	WHITE/BLACK	NATURAL
12	WHITE/BROWN	PINK

### General Specifications (12-way Inserts)

Operating Temperature : -55 °C to 100°C

Dielectric Withstand Voltage : 600 VAC RMS @sea level

Contact Resistance : 26 milliohms(65 mV) Max @2.5 Amps

Current Rating : 3 Amps per contact

Durability : >500 Mating Cycles min

Insulation Resistance : 5000 megohms @ 500 VDC

Shock : 50 g's with no discontinuities > 1 microsecond

Vibration : 20 g's with no discontinuities > 1 microsecond

Thermal Vacuum Outgassing (Space Class) : 1.0% max TML, 0.03% max CVCM

Mating/Unmating Force : 3 oz (85 g) typical per contact

### Material Specifications

Contact : Copper Alloy per MIL-DTL-83513

Contact Finish : Gold per ASTM B488, Type II, Class 1.27, Code C Over Nickel Underplate

Insulator : Thermoplastic per MIL-M-24519

Bulkhead Wire : 26 AWG (7-34) PTFE, colour coded

Body : Stainless Steel 316L

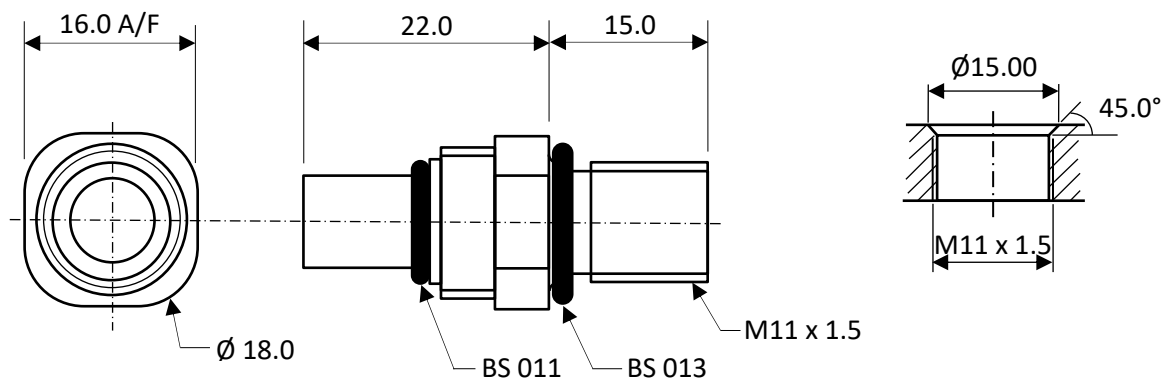
Locking Collar : Delrin (or Brass)

O Rings : Nitrile N170 (BS011 & BS013 sizes)

Cable : 12 x 32AWG, Silver plated, soft Copper core, PFA Insulated

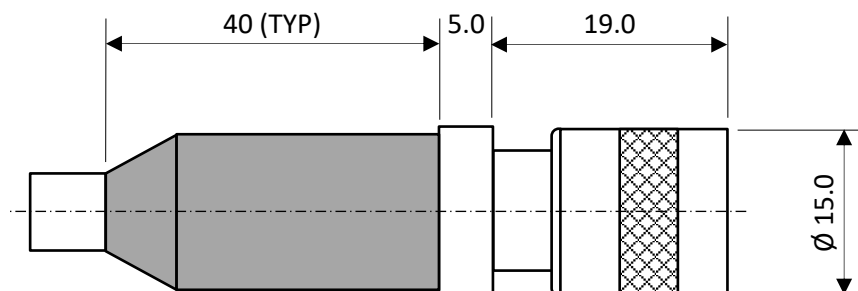
Overmoulding : Mercury Free 2-part Polyurethane, 70 Shore A Hardness

### M11 Bulkhead (BCR) Dimensions & Mounting Detail (all dimensions in mm)

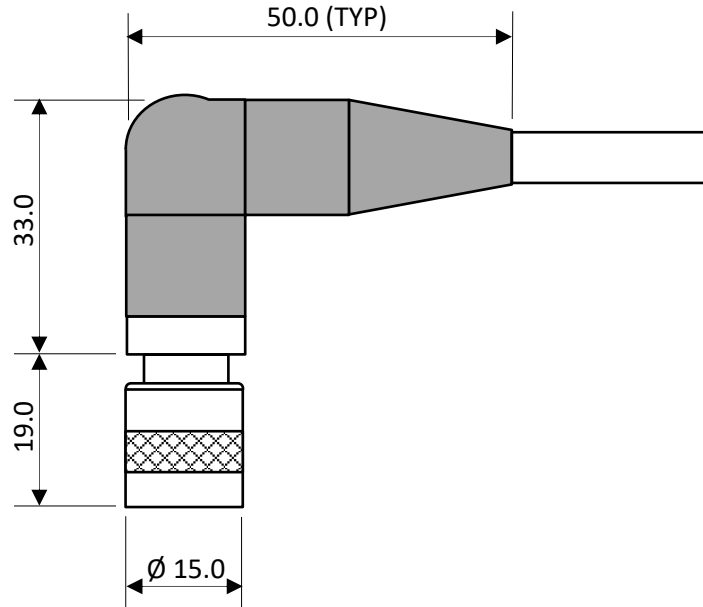


- Bulkheads supplied with 200mm 26AWG coloured tails, 400mm long
- M11 locking nut can be provided on request

### Moulded Connector (CCP) Dimensions



### Right Angle Moulded Connector (CCP) Dimensions



### Mated CCP & BCR Nominal Dimensions

