

MIN-0 (“Minnow”) Electrical Connectors

The STS MIN-0 (“Minnow”) miniature electrical connector range is a further development of the single way Mini-Coax Connector set, utilising common parts for improved lead times.

Currently rated to 6,000m with a 15mm overall connector diameter, this product offers significant space saving benefits. It has been designed to accommodate commercially available single, 2, 3, 4 and 6-way inserts.

Available as flanged or through hole mounted bulkheads, inline male and female connectors terminated to standard or customer supplied cables. A right angle moulded variant is also available.

Ideally suited for applications where a small, lightweight reliable connection is required, such as Pipeline Pigging, Diver Comms., AUVs, control & instrumentation and sensors.

The Minnow family is always expanding, more recently with the addition of HV (2A/3kV), high current (40A) and pneumatic/fluid contacts.

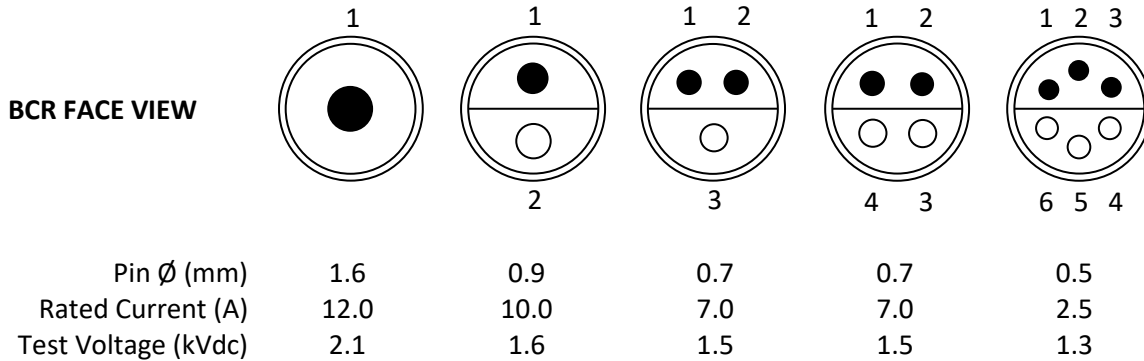
STS are also able to offer bespoke bulkhead mounting designs to fit existing equipment.



Key Features and Benefits

- Available in 316 Stainless Steel or Naval Brass as standard, titanium, aluminium, non-metallic or other options available on request
- Currently rated to 6,000m depth as standard, contact STS Subsea Sales for enhanced ratings
- Bespoke options available on request, UK manufactured for fast-turnaround deliveries
- Drymate assembly, positively engaged keyway system
- Supplied with a range of standard cable types to suit the application, customer supplied cables can be accommodated subject to specification review
- Single contact high voltage, high current or pneumatic insert variants are available
- Alternative mounting designs to interface with existing equipment, such as 1/4"-28 UNF-2A
- STS are always developing new variants to suit customer requirements, contact Sales to discuss
- UK manufactured, with good stock holding of components for fast turnaround

Standard Electrical Contact Configurations :-

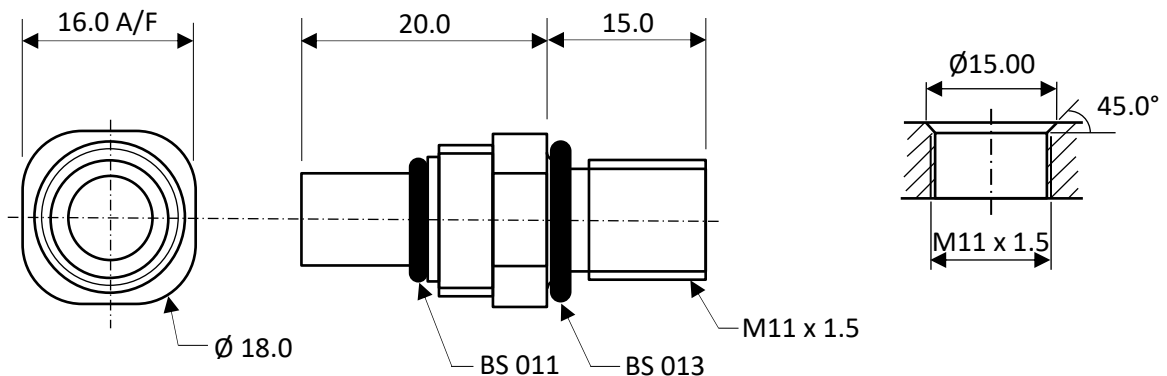


Single Contact Variants High Voltage : 2A d.c./3kV
 High Current : 10, 20, 30 or 40A
 Pneumatic / Fluid : 7 Bar @ 20°C

General Specifications :-

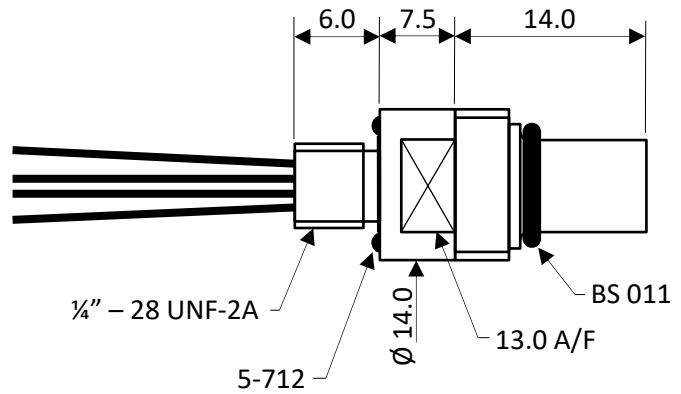
Temperature :	-55 °C to 100°C	Body :	Stainless 316L
Contact IR :	>999M Ω @ 1,000Vdc	Insert :	PEEK
Contact Resistance :	5.5m Ω (0.7mm \varnothing Pin)	Locking Collar :	Delrin (or Brass)
Contacts :	Gold plated Bronze (Sockets) or Brass (Pins)	O Rings :	Nitrile N170 (BS 011 & BS 013)

M11 Bulkhead (BCR) Dimensions & Mounting Detail (all dimensions in mm)

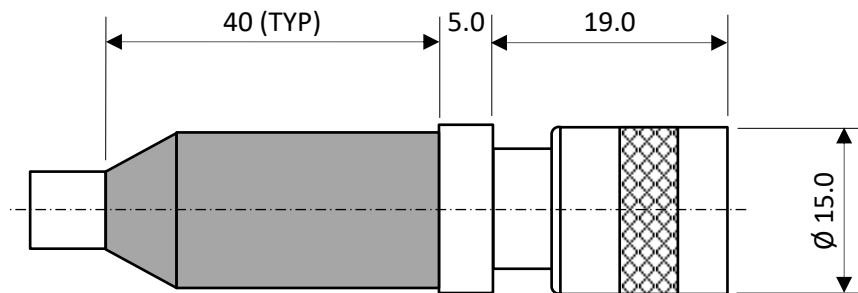


- Bulkheads supplied with 200mm 26AWG (2,3 & 4 way) or 28AWG coloured tails
- M11 locking nut can be provided on request

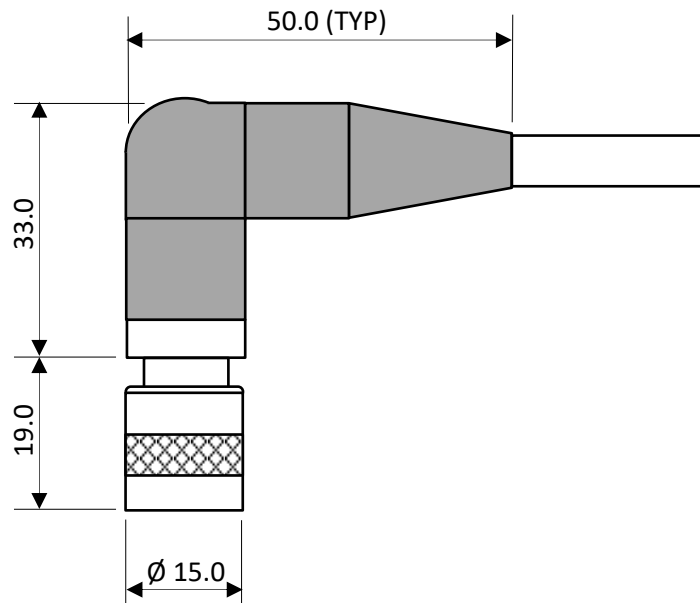
¼" – 28 UNF-2A Bulkhead Mounting Variant



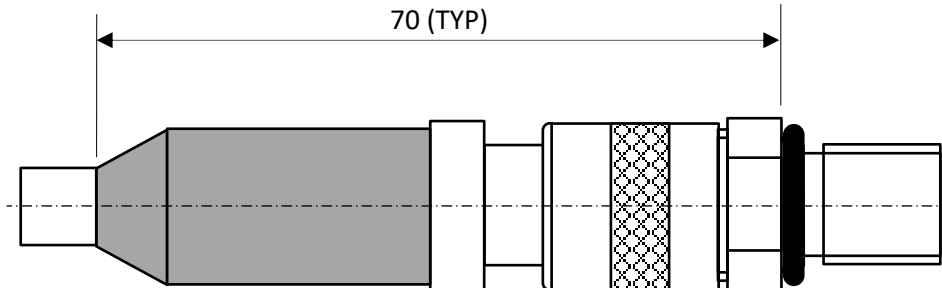
Moulded Connector (CCP) Dimensions



Right Angle Moulded Connector (CCP) Dimensions



Mated CCP & BCR Nominal Dimensions



Stock Cables

Customer supplied cables can be terminated, subject to Technical Review, various stock cables are offered as standard :-



PIN	1-WAY	2-WAY	3-WAY	4-WAY	6-WAY
1	BLACK	BLACK	BLACK	BLACK	BLACK
2		BLUE	BLUE	BLUE	BLUE
3			RED	RED	RED
4				YELLOW	YELLOW
5					GREEN
6					WHITE